

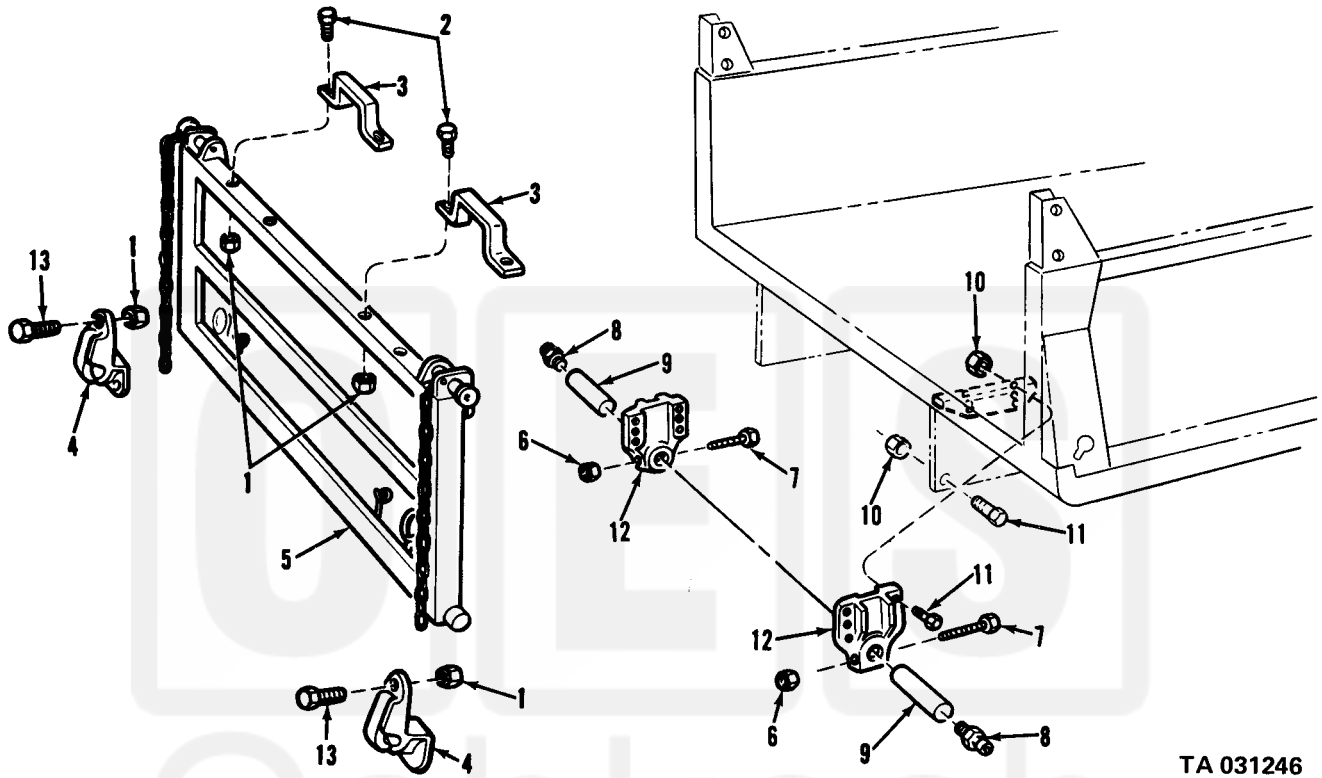
Current part is item (9) on diagram. Available at [www.oshkoshequipment.com](http://www.oshkoshequipment.com)

(1)	(2)	(3)	(4)	(5)	(6)	(7)	(8)
ILLUS.							QTY
(a)	(b)	SMR	NATIONAL	PART		DESCRIPTION	U/M
FIG.	ITEM	STOCK	STOCK	NUMBER	FSCM		INC
NO.	NO.	CODE	NUMBER			USABLE ON CODE	IN
							UNIT

1810-CARGO BODY (CONT'D)

148	16	XBFZZ		7409009	19207	BAR	EA	2
148	17	XBFZZ		14268	77241	SUPPORT	EA	2
148	18	PAFZZ	2510-00-740-9008	7409008	19207	LINK ASSEMBLY, DUMP	EA	2
148	19	PAFZZ	2510-00-740-9007	7409007	19207	BAR	EA	2
148	20	PAFZZ	5310-00-763-8905	MS51968-20	96906	NUT	EA	4
148	21	PAFZZ	3040-00-177-7825	10871739	19207	ROD	EA	2
148	22	PAFZZ	5305-00-053-8965	MS90726-167	96906	SCREW, CAP, HEXAGON HEAD	EA	2
148	23	PAFZZ	5310-00-614-3505	MS15795-820	96906	WASHER	EA	2
148	24	PAFZZ	3040-00-409-4021	7409012	19207	CLEVIS	EA	2
148	25	PAFZZ	5310-00-067-9507	MS51922-37	96906	NUT, SELF-LOCKING	EA	3
148	26	PAFZZ	5305-00-725-4183	MS90726-113	96906	SCREW, CAP, HEXAGON HEAD (M49,M59,M342A2)	EA	1
148	27	PAFZZ	3040-00-422-2008	7409011	19207	LEVER	EA	1
148	28	PBFZZ	2510-00-740-9010	7409010	19207	LEVER, HAND: END GATE (M47,M59,M342A2)	EA	1
148	29	PAFZZ	5315-00-616-5520	MS35756-14	96906	KEY	EA	2
148	30	XBFZZ		7409014	19207	SHAFT	EA	1
148	31	PAFZZ	2510-00-740-9013	7409013	19207	BEARING: TAILGATE CROSS SHAFT (M47,M59,M342A2)	EA	3
149	1	PAFZZ	5310-00-067-9507	MS51922-37	96906	NUT, SELF-LOCKING (M47,M59,M342,M342A2)	EA	4
149	2	PAFZZ	5305-00-716-8180	MS90726-119	96906	SCREW, CAP, HEXAGON HEAD (M47,M59,M342,M342A2)	EA	4
149	3	PAFZZ	2510-00-737-0210	7370210	19207	STEP, CARGO BODY (M342, M342A2)	EA	2
149	4	PAFZZ	2510-00-740-9002	7409002	19207	LATCH, TAILGATE (M47,M59, M342,M342A2)	EA	2
149	5	PAFZZ	2510-00-999-6471	10871735	19207	TAILGATE, VEHICLE BODY: DUMP BODY (M342,M342A2)	EA	1
149	6	PAFZZ	5310-00-959-1488	MS51922-21	96906	NUT, SELF-LOCKING (M47,M59,M342,M342A2)	EA	2
149	7	PAFZZ	5305-00-269-2819	MS90726-75	96906	SCREW, CAP, HEXAGON HEAD (M47,M59,M342)	EA	2
149	8	PAFZZ	4730-00-050-4208	MS15003-1	96906	FITTING LUBRICATION (M47,M59,M342,M342A2)	EA	1
149	9	PAFZZ	5315-00-740-9045	7409045	19207	SHAFT: HINGE, TAILGATE (M47,M59,M342,M342A2)	EA	1

Current part is item (9) on diagram. Available at [www.oshkoshequipment.com](http://www.oshkoshequipment.com)



TA 031246

Figure 149. Dump body tailgate and hinge.